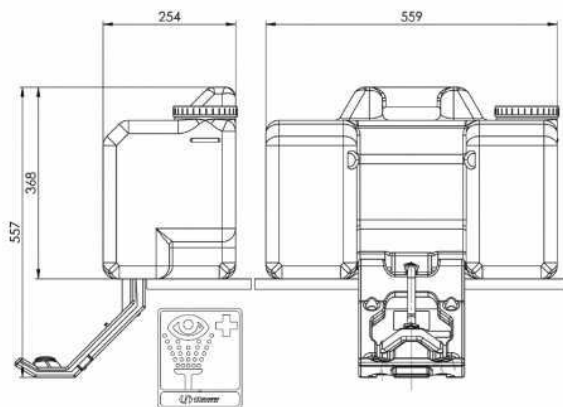




Gravity Operated Eyewash

**7501**  
**Transportable Modelle**  
 Transportable models  
 Modelli portabile  
 Trasportabili modelli  
 32 litre capacity



US  
 4,2 kg

Model 7501 portable gravity operated eyewash shall include a FDA high-density green polyethylene 32l tank, ABS plastic eyewash heads with 1.5l/min flow rate over 15 minutes, yellow pull-down activation arm, integral handle on top, wide-fill threaded cap, label-mounted operating and maintenance instructions, stainless steel wall bracket (unit must be hung), and 1 bottle of bacteriostatic additive to permit storage of water for six months.

Other models



Spare Parts



Accessory



Safety Green, certified by CSA ANSI Z535.1-1991\* / A117.1-1992\*\* / Z358.1-2004\*\*\*, designated safety emergency equipment | Patent Nr. 5,008,963<sup>1</sup> / 3,602,436<sup>2</sup> / 3,809,315<sup>3</sup>  
 HAWS AG | Bachweg 3 | CH-3401 Burgdorf Switzerland | Tel. +41 (0)34 420 60 00 | Fax +41 (0)34 420 60 01 | info@haws.ch | www.haws.ch

Print